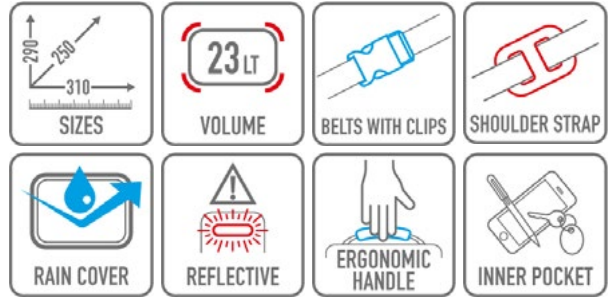




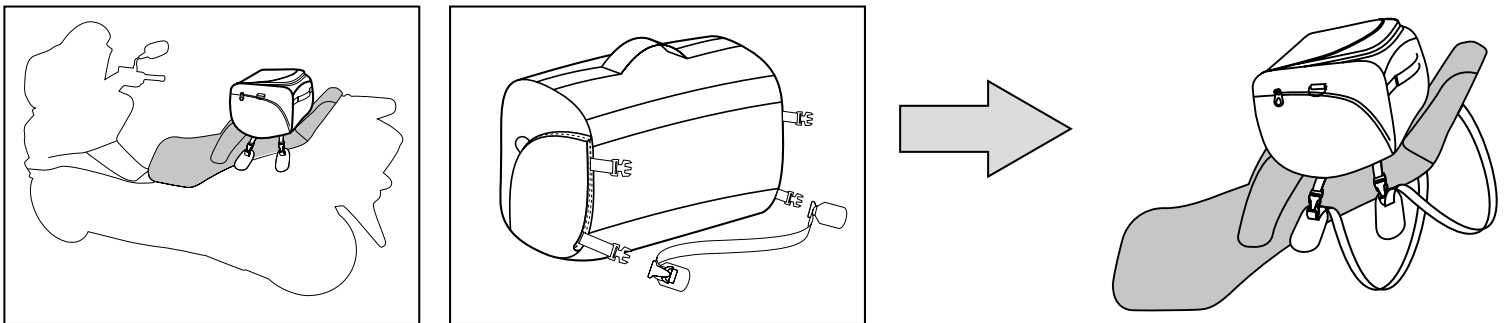
EA136

BORSA TUNNEL/SELLA PER SCOOTER - TUNNEL BAG / SEAT BAG FOR TUNNEL - SACOCHE DE TUNNEL/SELLE POUR SCOOTER
TUNNEL/SATTELASCHE FÜR SCOOTER - BOLSA PARA TUNEL /SILLIN PARA SCOOTER



n°	Description	Quantity	
1	CINGHIE CON CLIP BELTS WITH CLIP	1	
2	TRACOLLA + LOGO SHOULDER STRAP + LOGO	1	

Mounted seat bag



Shoulder strap



Mounted tunnel bag



Rain cover



ISTRUZIONI DI MONTAGGIO - MOUNTING INSTRUCTIONS
INSTRUCTIONS DE MONTAGE - BAUANLEITUNG
INSTRUCCIONES DE MONTAJE - INSTRUÇÕES DE MONTAGEM